

**THE SWITCH™ TECH  
OFFLINE SOLUTION**



**LEGIC CONNECT 22 PRESENTATION**

- 1919 - Frank Best invents the worlds first Small Format Interchangeable Core (SFIC)
- The SFIC enabled quick re-keying without disassembly of the lock hardware. Copied by our competitors making it a standard in North America
- Many Millions of SFIC cores have been sold in the last 100 years. **Over 100 million are estimated to be in use today!**



Mortise locks



Cylindrical Locks



File cabinets



Deadbolts



Glass display cases



Padlocks



Electronic key switches

- It is an **extensible platform** with custom code supported by LEGIC Connect. It is whole lot more than just a core!
- An **ecosystem** of Switch devices and software for dynamic mobile access within 3<sup>rd</sup> party access control systems
- Switch Tech extends **offline** access control solutions for many access control partners to virtually any application or asset!
- Target Markets are Commercial, Institutional, Industrial, Critical Infrastructure, Transportation and Logistics

*from this...*



*to this...*



**WHAT IS SWITCH™ TECH?**



SWITCH™ TECH



**SWITCH™ TECH EXTENDS 3<sup>RD</sup> PARTY ACCESS APPLICATIONS**



- Switch Tech uses a **universal data** model to aggregate partners access data into a standardized format / dB structure
- The data is used to create a credential / access rights file **specific to each user**. LEGIC Identsystems encrypts the file with customer-specific crypto keys, ensuring **end-to-end security** to the lock
- The lock with a LEGIC chip decrypts the file and makes an access decision. No dB at the lock or communication to the cloud is necessary
- A secure return channel sends the activities back to the cloud allowing **offline** performance that mimics online



جامعة الملك عبد الله  
للعلوم والتقنية  
King Abdullah University of  
Science and Technology



Georgetown  
University



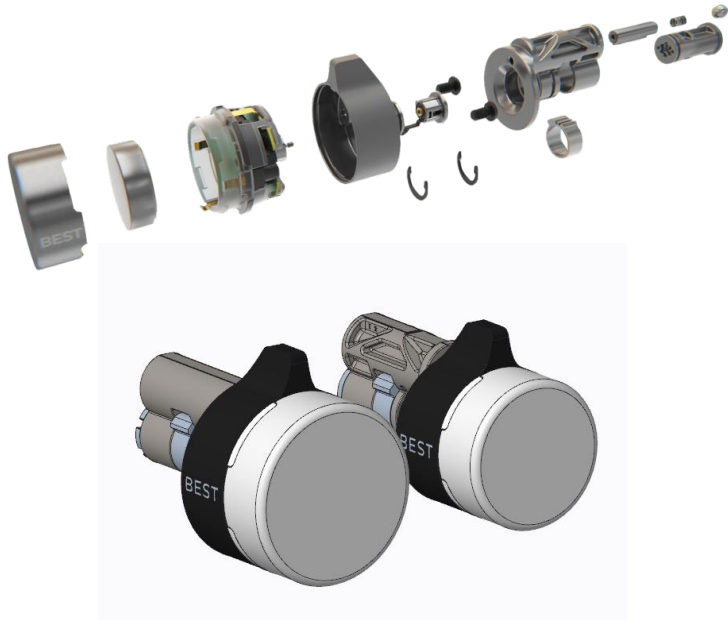
THE UNIVERSITY OF  
SCRANTON  
A JESUIT UNIVERSITY



THIEL  
COLLEGE



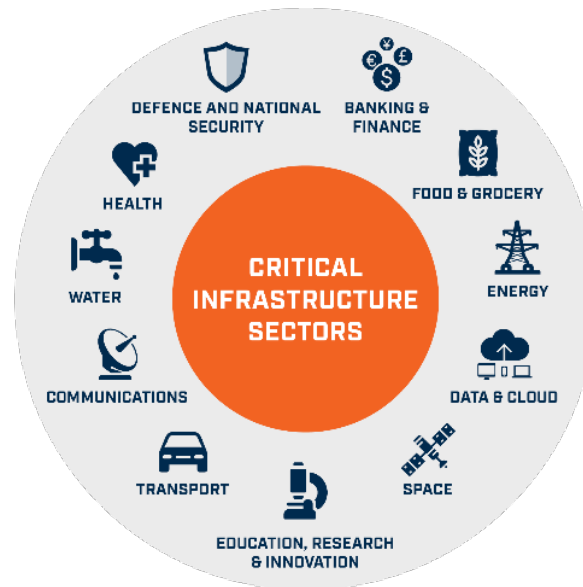
WE ARE SEEING SUCCESS IN HIGHER EDUCATION



- Switch™ Core was designed with electronic knob **modularity** for a simplified interface with multiple form factors
- Switch as a platform can be used with many other 3<sup>rd</sup> party applications to solve complex real-world applications that include geo fencing and Real Time Tracking and Location (RTLS)
- A weatherized version of the core is currently being developed for **securing assets in transit**

**WEATHERIZED VERSIONS OF SWITCH™ TECH OPEN NEW POSSIBILITIES**

- The critical infrastructure sector has many offline applications that traditional access control solutions fail to address
- **Assets in motion** or transit have the same or even higher security and access control needs as fixed assets
- The weatherized version of Switch will allow us to reach these sectors with our various partners and jointly address all assets, fixed and in motion



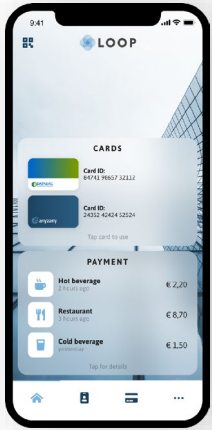
**OFFLINE ASSETS ARE TYPICALLY DIFFICULT TO CONTROL**





- Transportation and logistics markets are ripe for disruption with new technologies. Globally issued and revoked secure mobile credentials solves many of the segments current pain points
- Securing **Assets in motion** can save companies billions of dollars driving their investment in these solutions
- Fixed assets and assets in transit require a more **interoperable** solution as these elements frequently converge many times over their lifecycles

**SECURING ASSETS IN TRANSIT CAN SAVE BILLIONS OF DOLLARS**



- The existing or retrofit world Switch Tech focus' on has many stakeholders and embedded existing solutions for fixed asset access control
- Switch is moving beyond the “access app” stage to a more robust credential wallet model to allow greater interoperability with a wider range of partners. This is highly desired in our higher education markets
- The LOOP wallet solutions allows us to better manage access to an ecosystem where fixed assets and assets in transit will potentially converge many times over their lifecycles

# QUESTIONS?

For more information:

<https://timeforaswitch.com>

<https://www.youtube.com/c/dormakabaBEST>

Travis Willis – Product Manager

[Travis.willis@dormakaba.com](mailto:Travis.willis@dormakaba.com)



**BEST is proud to contribute to the dormakaba portfolio  
of mechanical and electronic access control solutions.**